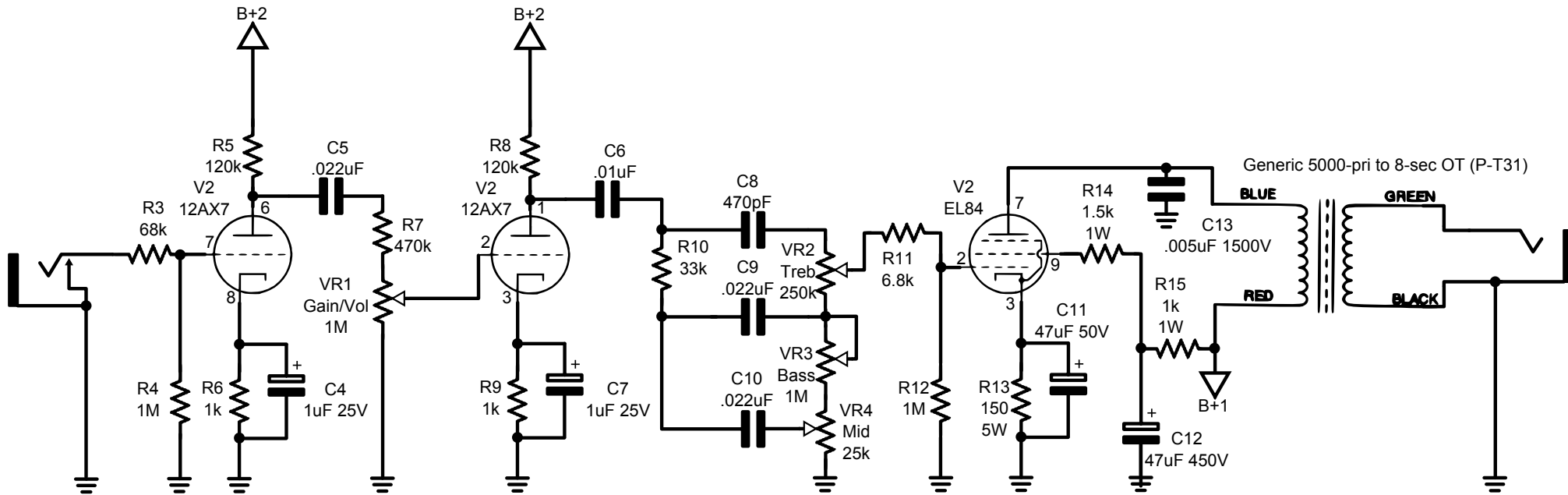


# EL84 Guitar Tube Amp Schematic

## Version 1.41



### EL84 Schematic

Version: 1.41 - September 4, 2014

Designed by: Robbie Pitts

Email: [robbie@tech-tut.com](mailto:robbie@tech-tut.com)

Website: <http://Tech-Tut.com>

Copyright: Attribution

Resistors are 1/2W unless noted

Capacitors are 300V unless noted

Amp design began with AX84 Project

Project contains high voltages!

Build/modify at own risk.

Visit website for design discussions.

