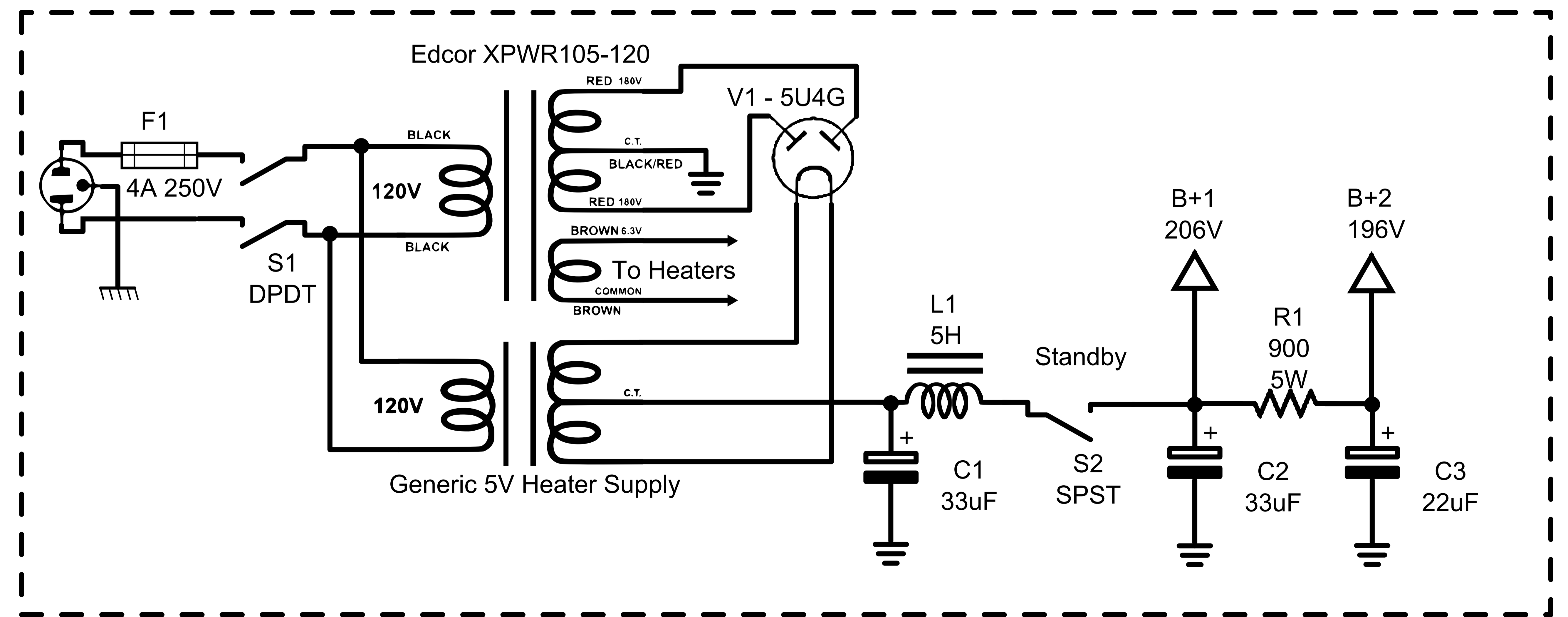
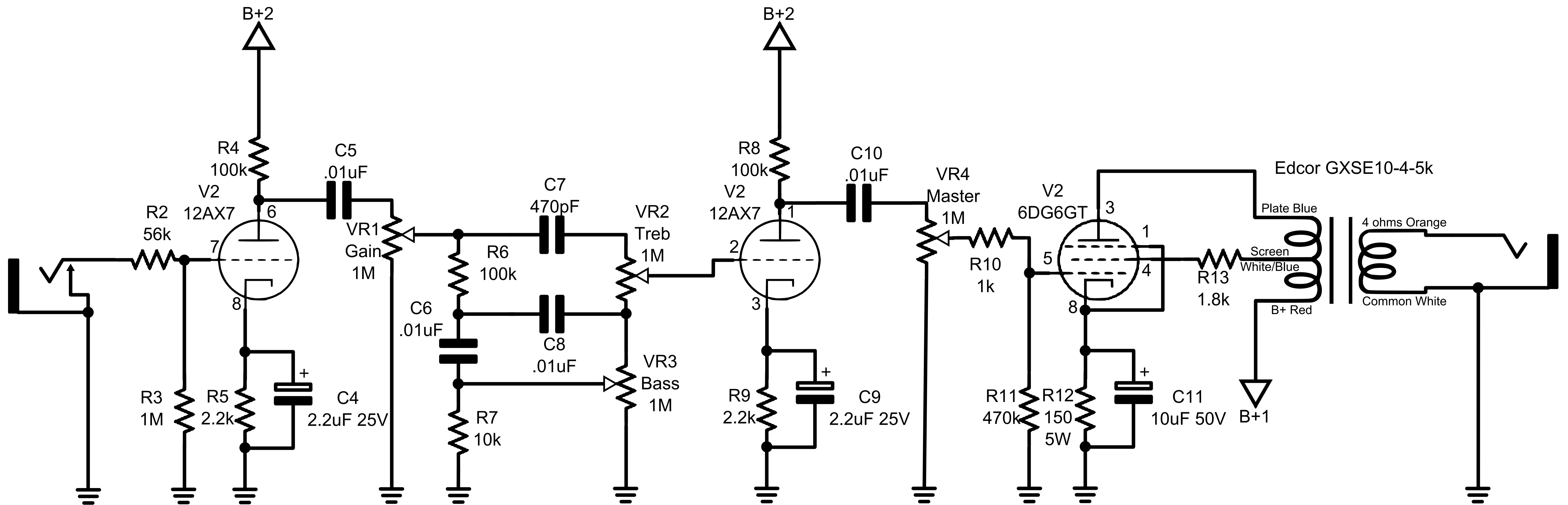


6DG6GT Guitar Tube Amp Schematic

Version 1.52



6DG6GT Schematic
 Version: 1.52 - September 4, 2014
 Designed by: Robbie Pitts
 Email: robbie@tech-tut.com
 Website: <http://Tech-Tut.com>
 Copyright: Attribution
 Resistors are 1/2W unless noted
 Capacitors are 300V unless noted

Amp design began with Instructable by GMOON
 Project contains high voltages!
 Build/modify at own risk.

Visit website for design discussions.